

Crankshaft Modeling, Design, and Analysis

Sanjay Paliwal, Department of Mechanical Engineering, R D Engineering College Ghaziabad, India-201206
Corresponding Author- sanjaipaliwal@yahoo.com

Abstract

A crankshaft is a revolving shaft that, when coupled with additional rods, converts the primarily reciprocating motion of pistons into rotating motion. Crankshafts are mostly used in internal combustion engines. Cranks and crankpins make up the majority of a crankshaft. This illustrates how the cylinder moves in response to the wrench's rotating movement. This work aims to investigate the static analysis of a single-chambered, four-stroke internal combustion engine's crankshaft. The most recent CATIA application version is used to display the crankshaft. Limited component examination is conducted to acquire the variety of stress at essential places of the driving rod utilizing the ANSYS programming and applying the limit conditions.

Keywords: Ansys; catia; crankshaft; engine; Modelling and Analysis; IC Engines; Static Analysis

Introduction

Crank with shaft is an enormous part with a perplexing geometry in the I.C engine, which changes over the responding relocation of the cylinder to a revolving movement with a four-bar interface system. [1] Crankshaft comprising of shaft parts, two diary orientation and one crankpin bearing. [2] The Shaft parts which rotate in the primary orientation, the crank pins to which the large finish of associating bar are associated, the crank arms or networks which interface the crank pins and shaft parts.

[3] Likewise, the straight removal of an engine isn't smooth; as the uprooting is brought about by the ignition chamber in this way the dislodging has abrupt stuns. [4] The idea of utilizing crankshaft is change of these abrupt removals to as smooth turning yield, which is the contribution to numerous gadgets, for example, generators, siphons and blowers. It ought to likewise be expressed that the utilization of a flywheel which helps in the smoothing of the stuns. [5]

Crank with shaft encounters huge powers from gases in ignition. power is applied to the top head in system of the cylinder and since the associating bar interfaces the cylinder to the crank with shaft, the power will be transmitted to the crankshaft. [6] The size of the powers relies upon numerous variables which comprise of crank range, associating bar measurements, weight of the interfacing pole, cylinder, cylinder rings, and pin. Burning and inactivity powers follow up on the crank with shaft. 1. Torsional load 2. [7] Bowing burden. Crankshaft must be sufficiently able to take the descending power of the force stroke without inordinate twisting so the dependability and life of the inward ignition engine rely upon the quality of the crankshaft to a great extent. [8]

Crank with shaft is a huge segment with a perplexing geometry the engine, which changes over the responding uprooting of the cylinder to a turning movement with a four bar connect component. [9] Crankshaft comprising of shaft parts, 2 diary course and one crankpin bearing. The idea of utilizing crankshaft is to change these unexpected removals to as smooth rotating yield, which is the contribution to numerous gadgets, for example, generators, siphons and blowers. It ought to likewise be expressed that the utilization of a flywheel helps in smoothing the stuns.

Crank with shaft encounters enormous powers from gas ignition. This power is applied to the head for the cylinder and since the interfacing pole associates cylinder to the crank shaft, the power will be transmitted to the crankshaft. The greatness of the powers relies upon numerous variables which comprise of crank sweep, interfacing bar measurements, and weight of the associating bar, cylinder, cylinder rings, and pin.

The main objectives of the paper are:

- To do study modeling and analysis of crankshaft
- To model a crankshaft on software
- To perform static analysis of crankshaft

Modeling:

Simulation is a design investigation framework completely coordinated with Solid works.

Strong works Simulation gives reenactment answers for direct and nonlinear static, recurrence, clasp, warm, weakness, pressure vessel, drop test, straight and nonlinear dynamic, and streamlining examinations.



Figure 1: simulation example

In the wake of building your model, you have to ensure that it performs productively in the field. Without investigation devices, this errand must be replied by performing costly and tedious item advancement cycles. An item improvement cycle normally incorporates the accompanying advances:

1. Building your model.
2. Building a model of the design.
3. Testing the model in the field.
4. Evaluating the aftereffects of the field tests.
5. Modifying the design dependent on the field test results.

This procedure proceeds until an agreeable arrangement is reached. Investigation can assist you with achieving the accompanying assignments:

- Reduce cost by reenacting the testing of your model on the computer rather than costly field tests.
- Reduce time to showcase by decreasing the quantity of item advancement cycles.
- Improve items by rapidly testing numerous ideas and situations before settling on an official conclusion, giving you more opportunity to consider new designs.

Analysis:

The analysis parameter is shown in table 1.

Table 1: Properties of material

Material	Density(g/cm ³)	Youngs modulus(Gpa)	Poissions ratio
Aluminum alloy	2.6898	68.3	0.34
Titanium alloy	4.62	96	0.36
Magnesium alloy	1.8	45	0.35

In figure 2 to 14 analysis of model screenshots are shown

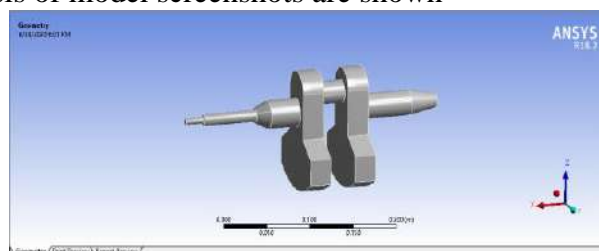


Figure 2: Model

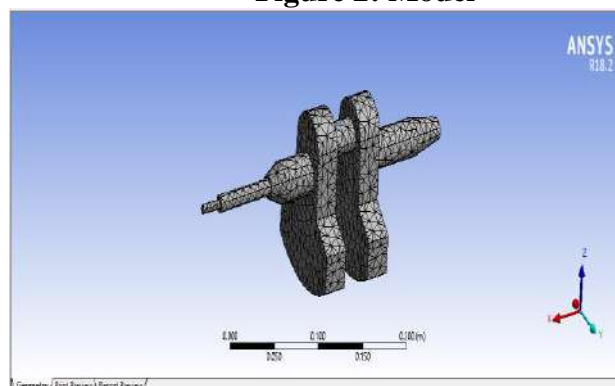


Figure 3: Mesh

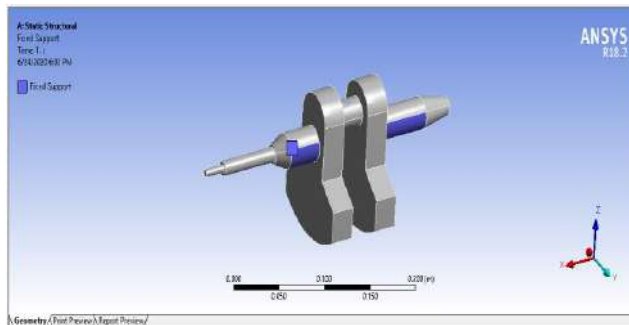
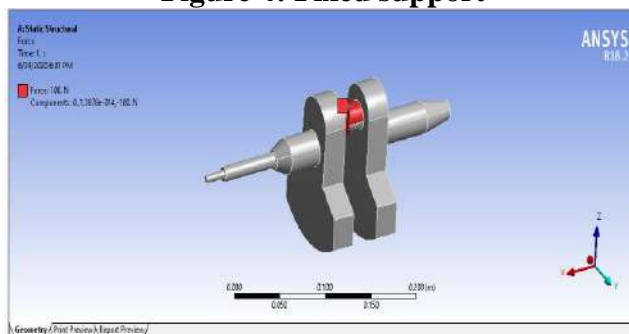


Figure 4: Fixed support



**Figure 5: Load –force 100 N
For Aluminum alloy**

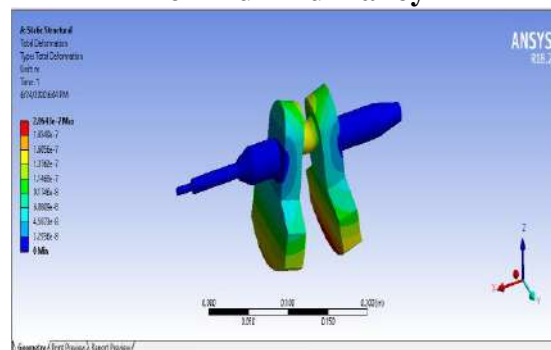


Figure 6: Total deformation

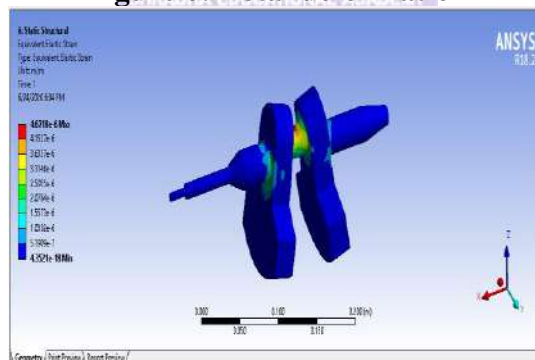


Figure 7: Strain

Result:

Table 2: results for all analysis

Material	Total deformation (M)	Strain	Stress (pascals)
Aluminum alloy	2.0643e-7	4.6718e-6	3.2003e5
Titanium alloy	1.5034e-7	3.3248e-6	3.1719e5
Magnesium alloy	3.2248e-7	7.1889e-6	3.1815e5

Conclusion:

Modeling and investigation of crank shaft is finished. Modeling of crank shaft is done in catia v5 design programming by utilizing different orders. The catia part record is changed over

into IGS document and imported to ansys workbench. First Static auxiliary investigation is done on spike gear at 100 N with three unique materials, for example, aluminum compound, titanium amalgam and magnesium composite in ansys workbench. Maximum stress, twisting and most extreme strain are noted and arranged. From the tables it is presumed that the titanium amalgam is demonstrating proficient outcomes. Hence titanium composite is best among the three applied materials

Reference

- [1] [1.] Rincle Garg, Sunil Baghla, "Finite element analysis and optimization of crankshaft", IJEMR, vol-2, Issue-6, ISSN: 2250- 0758, Pages:26-31, December 2012.
- [2] [2.] C.M Balamurugan, R. Krishnaraj, Dr.M.sakhivel, K.kanthavel, Deepan Marudachalam M.G, R.Palani, "Computer Aided modelling and optimization of Crankshaft", International Journal of scientific and Engineering Reaserach, Vol-2, issue-8, ISSN:2229- 5518, August-2011.
- [3] [3.] Gu Yingkui, Zhou Zhibo, "Strength Analysis of Diesel Engine Crankshaft Based on PRO/E and ANSYS", Third International Conference on Measuring Technology and Mechatronics Automation, 2011.
- [4] [4.] Abhishek choubey, JaminBrahmbhatt, "Design and Analysis of Crankshaft for single cylinder 4- stroke engine", International Journal of Advanced Engineering Reaserch and studies, vol-1, issue-4, ISSN:2249-8974, pages: 88-90, July-sept 2012.
- [5] [5.] R.J Deshbhratar, Y.R Suple, " Analysis and optimization of Crankshaft using FEM", International Journal of Modern Engineering Reasearch, vol-2, issue-5, ISSN:2249-6645, pages:3086-3088, Sept-Oct 2012.
- [6] [6.] Farzin H. Montazersadgh and Ali Fatemi "Stress Analysis and Optimization of Crankshafts Subjected to Dynamic Loading", AISI, August 2007.
- [7] [7] Xiaorong Zhou., Ganwei Cai., Zhan Zhang. Zhongqing Cheng., 2009, "Analysis on Dynamic Characteristics of Internal Combustion Engine INTERNATIONAL JOURNAL OF PROFESSIONAL ENGINEERING STUDIES Volume VIII /Issue 5 / AUG 2017 IJPRES Crankshaft System," ICMTMA.
- [8] [8]. Farzin H.Montazersgh and Ali Fatmi., 2007, "Dynamic Load and Stress Analysis of a Crankshaft," SAE Technical Paper No. 010258, Society of Automotive Engineers
- [9] [9]. Jonathan Willias, FarzinMontazeradgh, and Alifatemi.,2007, "Fatigue Performance Comparison And Life Prediction Of Forged Steel And Ductile Cast Iron Crankshafts," Published in Proceeding of the 27th FITC in Ft.Worth,Texas
- [10] [10]. Shenoy, P. S. and Fatemi, A., 2006, "Dynamic analysis of loads and stresses in connecting rods," IMechE, Journal of Mechanical Engineering Science, Vol. 220, No. 5, pp. 615- 624
- [11] **Dharamveer, Samsher, Singh DB, Singh AK, Kumar N.** Solar Distiller Unit Loaded with Nanofluid-A Short Review. 2019;241-247. Lecture Notes in Mechanical Engineering, Advances in Interdisciplinary Engineering Springer Singapore. https://doi.org/10.1007/978-981-13-6577-5_24.
- [12] **Dharamveer, Samsher.** Comparative analyses energy matrices and enviro-economics for active and passive solar still. materialstoday:proceedings. 2020. <https://doi.org/10.1016/j.matpr.2020.10.001>.
- [13] **Dharamveer, Samsher Kumar A.** Analytical study of Nth identical photovoltaic thermal (PVT) compound parabolic concentrator (CPC) active double slope solar distiller with helical coiled heat exchanger using CuO Nanoparticles. Desalination and water treatment.2021;233:30-51. <https://doi.org/10.5004/dwt.2021.27526>
- [14] **Dharamveer, Samsher, Kumar A.** Performance analysis of N-identical PVT-CPC collectors an active single slope solar distiller with a helically coiled heat exchanger using CuO nanoparticles. Water supply. 2021. <https://doi.org/10.2166/ws.2021.348>